

# ASSURE FIRE AND SAFETY SOLUTION

---



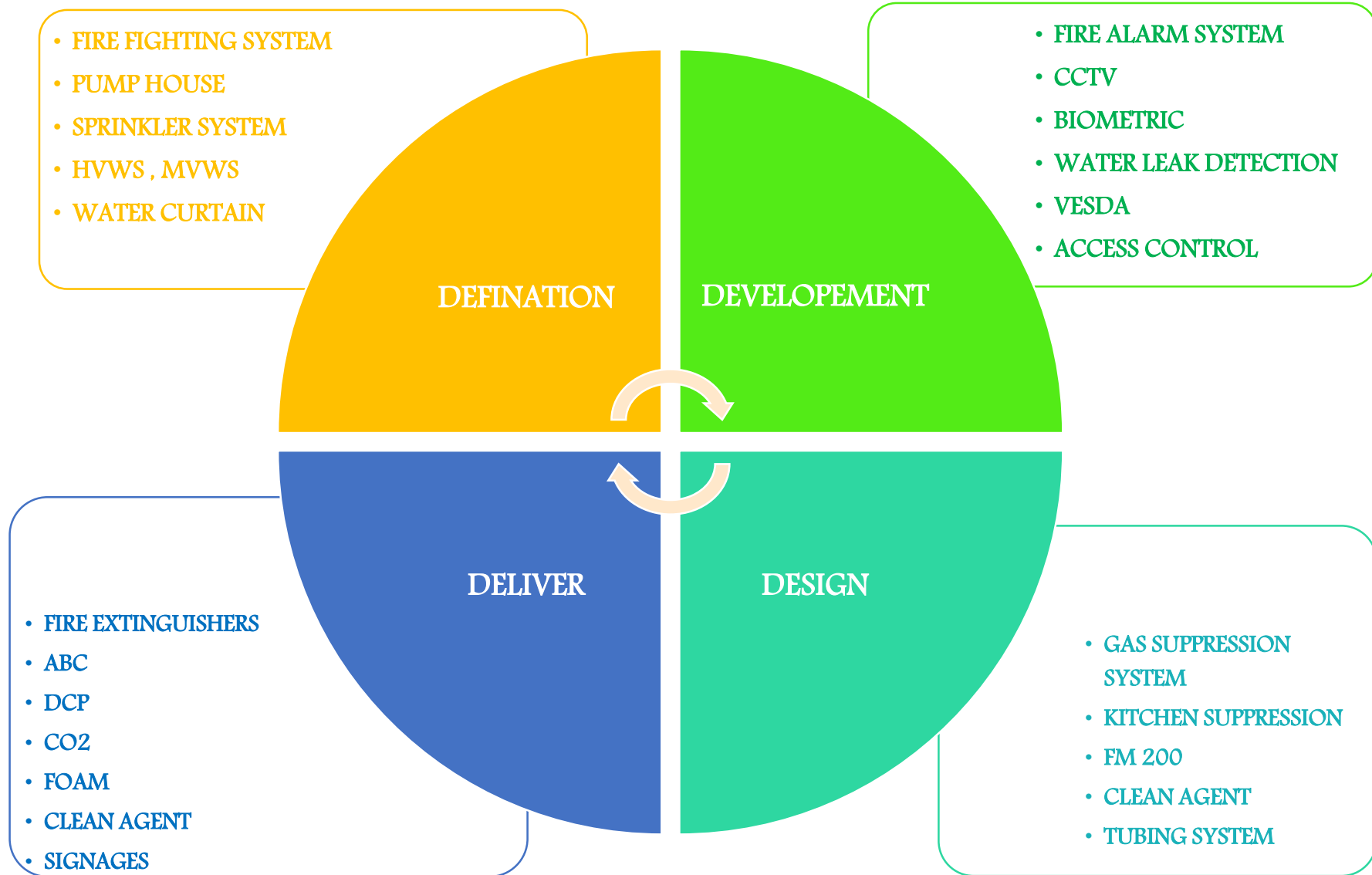
**Assure fire & safety solution**





Assure fire & safety solution

# ASSURE FIRE AND SAFETY SOLUTION





Assure fire & safety solution

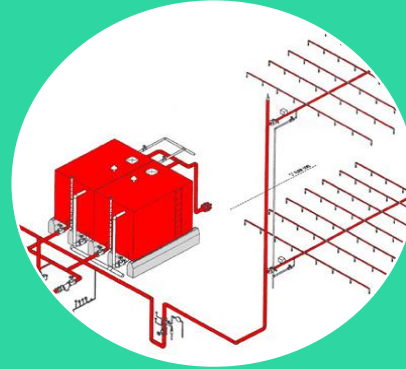
# FIRE FIGHTING SYSTEM



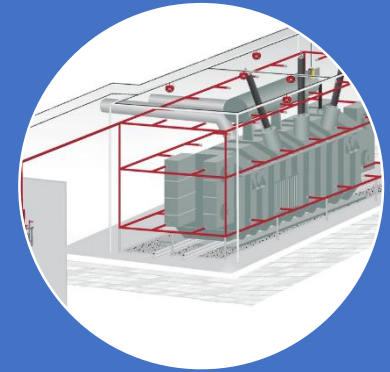
PUMP HOUSE  
JOCKEY PUMP  
MAIN PUMP  
DIESEL ENGINE  
BOOSTER PUMP



HYDRANT SYSTEM  
SINGLE HYDRANT  
TWIN HYDRANT  
CANVAS / RRL HOSE PIPE  
HOSE BOX  
BRANCH PIPE  
HOSE REEL



FIRE SPRINKLER SYSTEM  
PENDENT SPRINKLER  
UPRIGHT  
SIDE WALL  
CONCEALED



HIGH VELOCITY WATER  
SPRAY SYSTEM( HVWS )  
MEDIUM VELOCITY  
WATER SPRAY SYSTEM  
( MVWS )  
WATER CURTAIN  
SYSTEM



# FIRE ALARM SYSTEM ( FAS )

## CONVENTIONAL

- 1 . RAVEL 2. AGNI 3. SYSTEM SENSOR

## ADDRESABLE

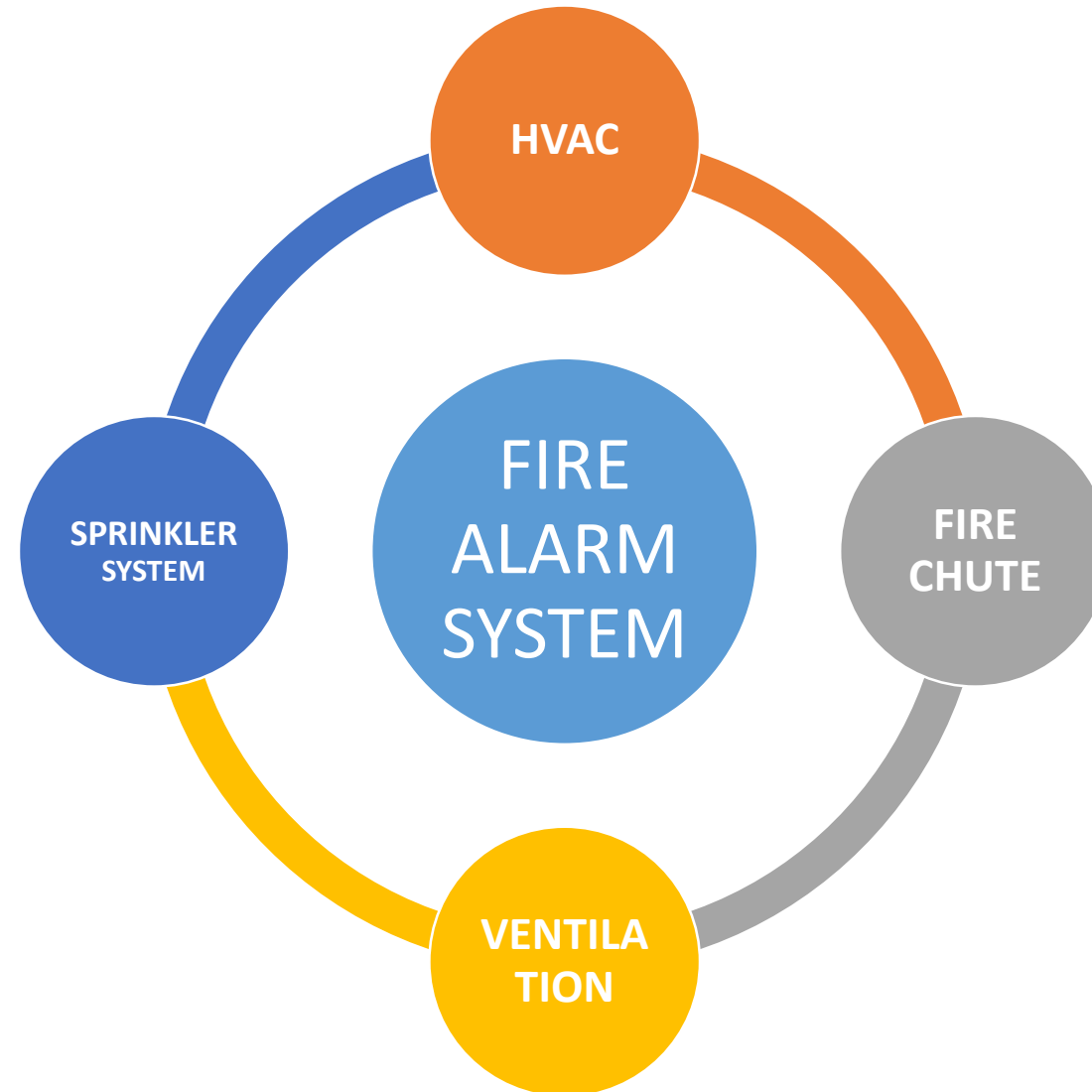
- 1. SIEMENS 2. NOTIFIER 3. HONEYWELL 4. COOPER 5. EST 6. SIMPLEX  
7.GST 8.RAVEL 9.BOSCH 10. APOLLO

## SEMI ADDRESABLE

- 1. EST 2. APOLLO 3. LOCAL MAKE 4. SYSTEM SENSOR

# INTEGRATION WITH FAS

---

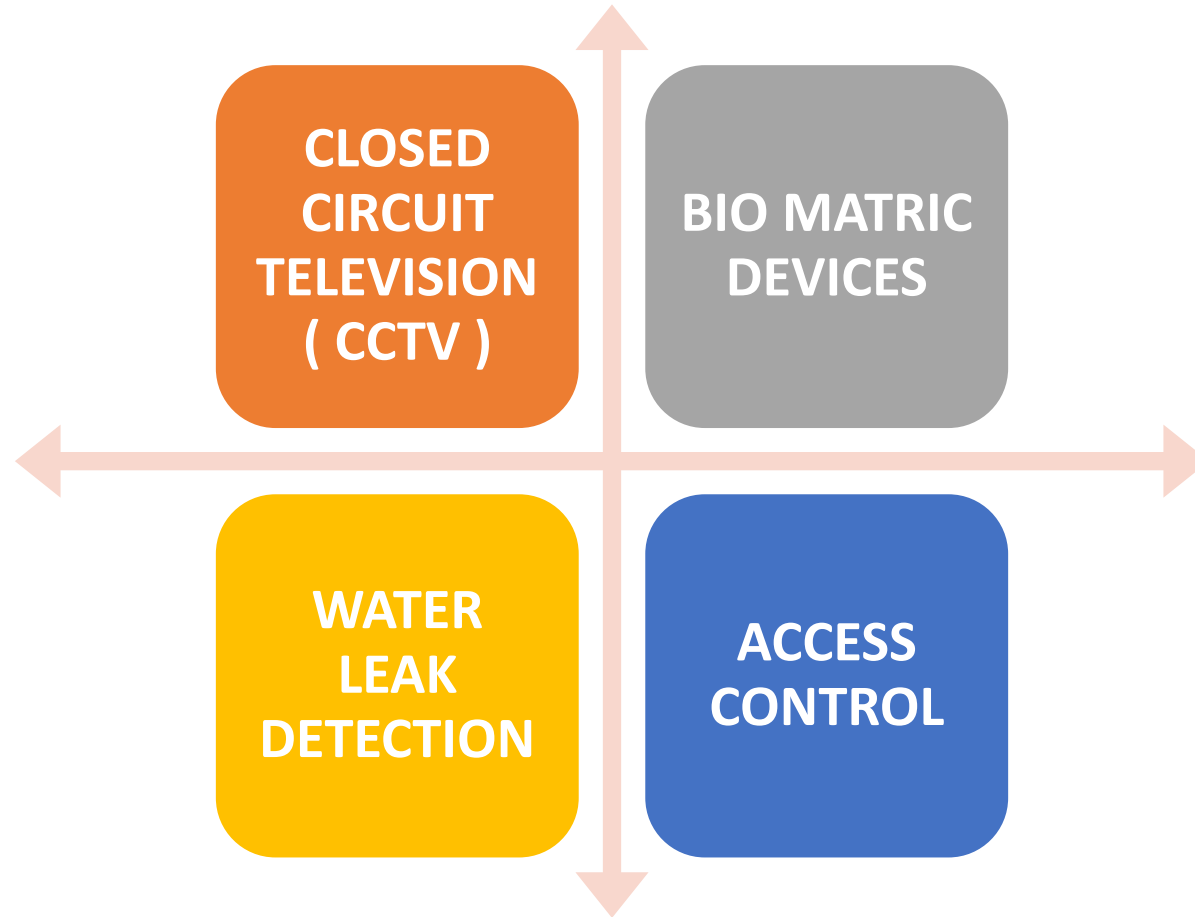


# FIRE ALARM SYSTEM MAKE ( BRAND )



# LOW VOLTAGE SYSTEM

---





Assure fire & safety solution

# CLOSED CIRCUIT TELEVISION ( CCTV )







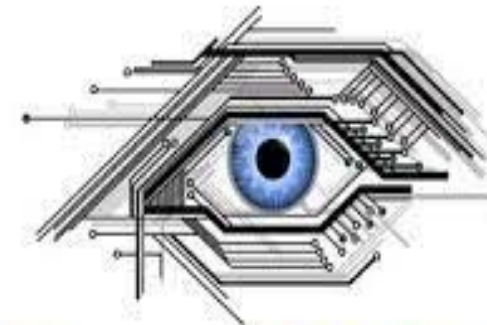
Assure fire & safety solution

# BOIMETRIC

HID ADVANCE BIOMETRIC ACCESS CONTROL SYSTEM



New HID Signo™ Biometric Reader 25B



SMART EYE TECHNOLOGY

# ACCESS CONTROL

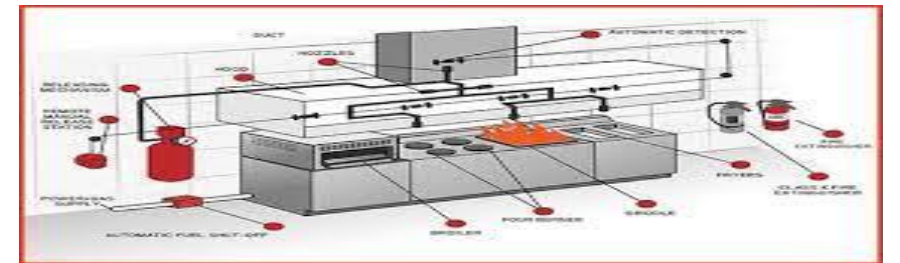


# TOTAL FLOODING SYSTEM

**GAS SUPPRESSION  
SYSTEM NOVEC 1230**

**FM 200 / CLEAN AENT**

**KITCHEN HOOD  
SUPPRESSION SYSTEM**



# FIRE EXTINGUISHERS

## ABC TYPE

For use on classes of fire involving :

- CLASS A** Burning Solids such as Paper, Wood, Fibres & Cloth etc.
- CLASS B** Burning Liquids such as Oil, Petrol, Thinner, Kerosene etc.
- CLASS C** Burning Gases such as LPG, CNG, Butane, Natural Propane etc.
- Electrically Started Fires




## DCP



## CO2



-  Safe for use on: Electrical fires
-  Safe for use on: Flammable liquid fires
-  DO NOT use on: Wood, paper or fabric fires
-  DO NOT use in confined space
-  DO NOT hold horn when operating

## FOAM



## CEILING MOUNTED




## WATER TYPE



## CLEAN AGENT

For use on classes of fire involving :

- CLASS A** Burning Solids such as Paper, Wood, Fibres & Cloth etc.
- CLASS B** Burning Liquids such as Oil, Petrol, Thinner, Kerosene etc.
- CLASS C** Burning Gases such as LPG, CNG, Butane, Natural Propane etc.
- Electrically Started Fires




# SIGNAGES



# PERSONAL PROTECTIVE EQUIPMENT (PPE)





# CONTACT US

## ASSURE FIRE AND SAFETY SOLUTION

Add -Shop NO.02 ,Plot No.129 ,Shitji Building ,Sector 22 ,Turbhe ,Navi Mumbai – 400705 , Maharashtra.

Mr.Ajit Rathod

[sales.assurefss@gmail.com](mailto:sales.assurefss@gmail.com)

+91-9967976863

[Assurefss@gmail.com](mailto:Assurefss@gmail.com)

+91-8828003534

Mr.Manoj Gupta

[Manojg.assure@gmail.com](mailto:Manojg.assure@gmail.com)

+91-7506162684